

Island mounted
Flatline 120 cm (without motor)
Stainless steel



EAN 5414425076659

Functions & features

▪ Control method	Push buttons
▪ Number of speeds	3 + power
▪ Automatic Power revert (minutes)	6
▪ Motor	Without
▪ Sound absorber	Integrated
▪ InTouch function	Optional
▪ Auto stop	▪
▪ Delayed switch off (minutes)	10
▪ Number of grease filters	1
▪ Grease filter	7400020
▪ Grease filter cleaning indication	▪
▪ Recirculation filter cleaning indication	-

Dimensions

▪ Product dimensions exhaust (WxDxHmin-Hmax) (mm)	1200 x 700 x 563 - 730
▪ Product dimensions recirculation (WxDxHmin-Hmax) (mm)	1200 x 700 x -
▪ Max height optional chimney [a] exhaust (mm)	1040
▪ Max height optional chimney [b] exhaust (mm)	1350
▪ Advised mounting height induction hobs (Hmin-Hmax) (mm)	650 - 850
▪ Advised mounting height gas hobs (Hmin-Hmax) (mm)	650 - 850
▪ Advised mounting height ceramic hobs (Hmin-Hmax) (mm)	600 - 850
▪ Diameter outlet (mm)	150
▪ Position exhaust	Top

Lighting

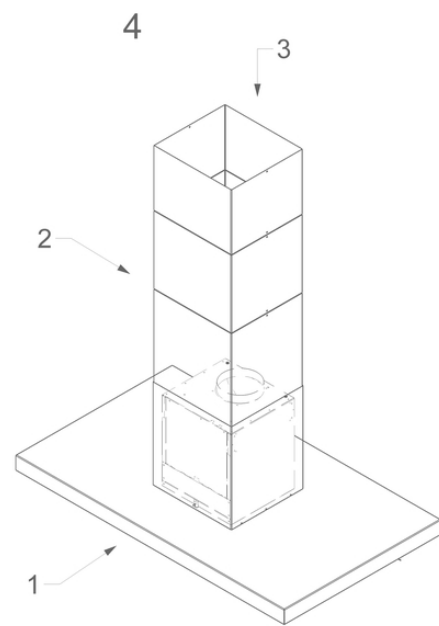
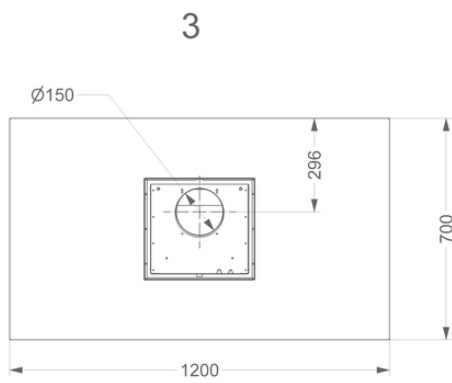
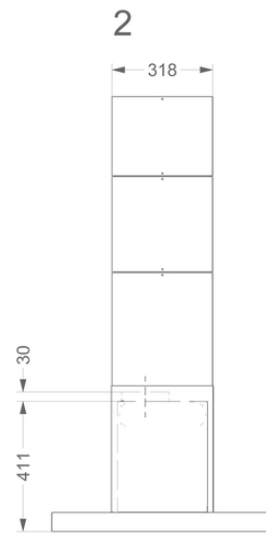
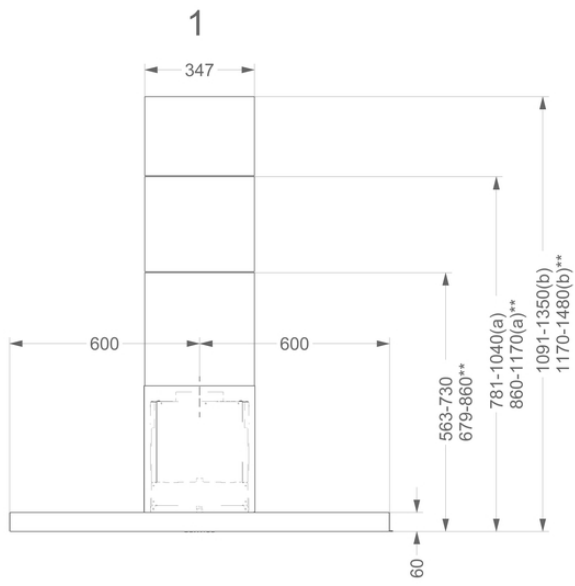
▪ Functional lighting type	Led
▪ Dimmable light	▪
▪ Soft-ON/OFF	▪
▪ Total energy consumption functional light (W)	13

Airflow and noise level

- Airflow (m³/h) measured according to
- Sound regulation according to

Technical specifications

▪ Maximum power	13
▪ Voltage (V)	220-230
▪ Frequency (Hz)	50
▪ Length power supply cord (m)	1,3
▪ Power consumption in stand-by-mode (Ps) (W)	0.25
▪ Net weight (kg)	39



Installation accessories

Dissociated motor

- 445999 Wall motor
- 745999 Flat roof motor 48,8 cm high, 1.150 m³/h
- 755999 Flat roof motor with silencer 78,4 cm high, 1.145 m³/h
- 245999 Remote motor for installation inside

Extension cable

- 700092 Extension cable 5 m

Back panel & chimney extensions

- 7640100 Chimney extension option A stainless steel
- 7640101 Chimney extension option B stainless steel

Additional accessories

- 840029 Remote control

Accessories

Control kit



990030

Control kit for external lighting or valve

